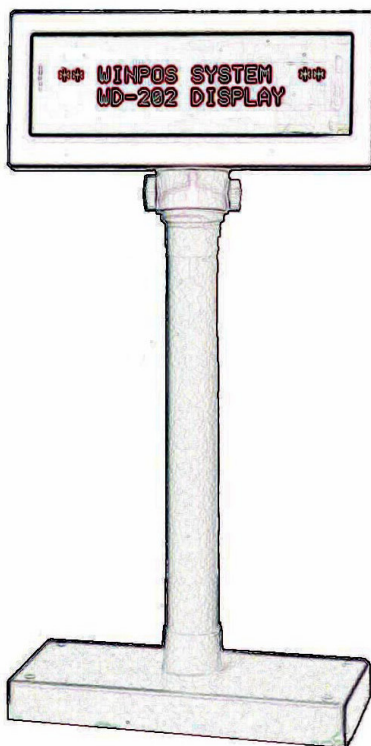


User's Manual

Vacuum Fluorescent Customer Display MODEL : WD~202



INDEX

1. FEATURES 3

2. GENERAL SPECIFICATIONS..... 4

3. TYPE CLASSIFICATIONS..... 5

4.UNPACKING AND CHECKING THE PARTS..... 6

5. INTERFACE 7

 5.1 SPECIFICATIONS..... 7

 5.2 THE COMMUNICATION FLOW 7

 5.4 INTERFACE CONNECTOR (ON THE BUTTOM OF THE BASE SECTION) 8

 5.5 POWER SUPPLY CONNECTORS..... 8

 5.6 RS232C LINK TO PC/HOST CONNECTOR..... 9

 5.7 RS232C LINK TO PRINTER CONNECTOR 9

6. DIP SWITCH SETTING10

 6.1 COMMAND TYPE SELECTION10

 6.2 BAUD RATE SELECTION10

 6.3 PARITY CHECK SELECTION.....10

 6.4 INTERNATIONAL CHARACTER SET.....11

7. COMMAND.....12

 7.1 CD5220 STANDARD MODE COMMAND LIST12

 7.2 UTC STANDARD MODE COMMAND LIST15

 7.3 WD202 MODE COMMAND LIST **ERROR! BOOKMARK NOT DEFINED.**

 7.4 UTC ENHANCED MODE COMMAND LIST16

 7.5 AEDEX MODE COMMAND LIST16

 7.6 ADM787/788 MODE COMMAND LIST17

 7.7 DSP-800 MODE COMMAND LIST18

 7. 7 EPSON Esc/POS COMMAND LIST19

8. CHARACTER SET.....21

 8.1 USA,STANDARD CHARACTER SET (20H – 7EH).....21

 8.2 INTERNATIONAL CHARACTER SETS22

 8.3 PAGE 0 (PC437: USA, STANDARD EUROPE)23

 8.4 PAGE 1: (KATAKANA).....24

 8.5 PAGE 2 : (PC850 : MULTILINGAL)25

 8.6 PAGE 3 : (PC860 : PORTUGUESE)26

 8.7 PAGE 4 : (PC863 : CANADIAN-FRENCH)27

 8.8 PAGE 5 ; (PC865 : NORDIC)28

WD-202 customer display

8.9 PAGE 6 : (SLAVONIC).....	29
8.10 PAGE 7 : (RUSSIA).....	30
APPENDIX A: CUSTEMER DISPLAY DIMENSION.....	31
APPENDIX B: DISPLAY MODULE DIMENSION	32

1. FEATURES

- 1.) Data can be displayed on 20 columns x 2 lines.
- 2.) Blue-green color and large character are easy to eyes.
- 3.) The display panel is adjustable to provide the best view angle.
- 4.) Provide 2 pole for best position installation.
- 5.) The DIP-switches setting emulate commands mode, baud rate and international characters.
- 6.) CD5220/UTC/EMAX/ADM/EscPOS/DSP-800 emulation command sets.
- 7.) User-defined characters and message can be downloaded.
- 8.) Display area can be controlled by window function.
- 9.) Provides an interface based on RS-232C, and RS232C baud rate from 4800 to 38400 bps.
- 10.) The other option interface RS485 can link max. 256 display by one port.
- 11.) Provides pass through function, so both printer and display can be connected to the same port.
- 12.) Green power function, provides low power standby mode control by software and the power consumption can be low then 1 Walt.

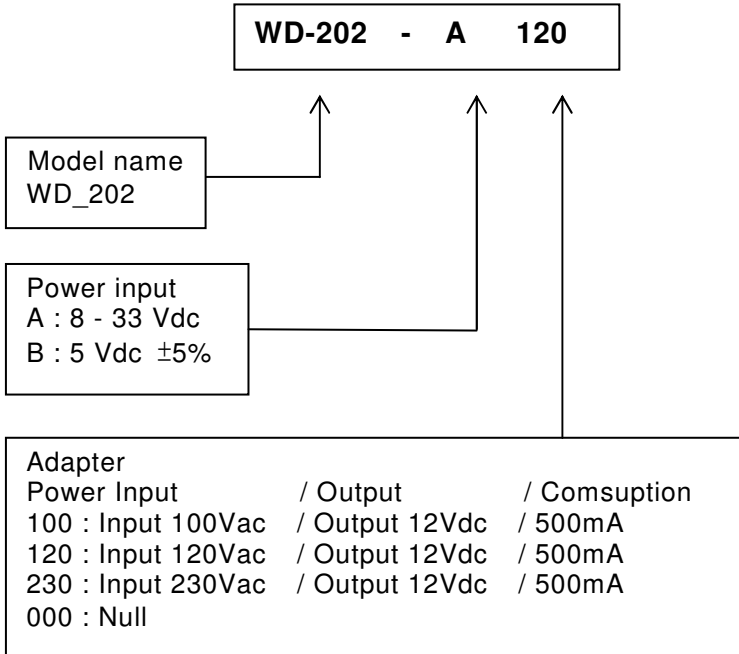
WD-202 customer display

2. GENERAL SPECIFICATIONS

NO	ITEM	Descriptions
1	Display method	Vacuum fluorescent display
2	Numberof character	40 characters (20 columns x 2 lines)
3	Character font	5 x 7 Dot matrix
4	Display color	Blue green
5	Brightness	700 cd/m ²
6	Character type	96 alphanumeric 13 kinds of international character set 1 kind of user define character
7	Character size	9.0mm x 5.25mm
8	Power supply	WD202-A : 8-35VDC WD202-B : 5VDC
9	Power consumption	3 - 6 W (Standby : 1 W)
10	MTBF	25000 hours (power on time)
11	Panel dimensions	224 (W) x 93 (H) x 50(D) mm
12	Support dimensions	Long support : 219 mm Short support : 88 mm
13	Base dimensions	190(w)x55(h)x96(d)mm
14	Viewing angle	-5 - 60 degrees
15	Rotation angle	Maximum 270 degrees
16	Weight	1.25 Kg
17	Operating temperature	5 - 45°C
18	Operating Humidity	30%-85%
19	Storage Temperature	-10 - 55°C
20	Storage Humidity	10%-85%

Table 2-1

3. TYPE CLASSIFICATIONS



Option:

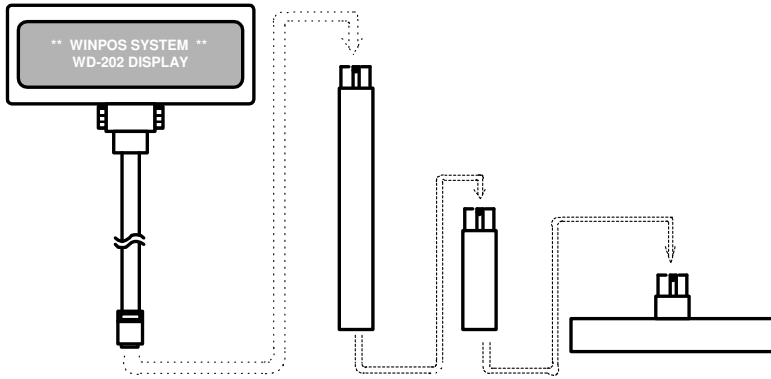
WCP24 :	Power cable for pass through,from display to printer
Display side:	Miniature plag quick lock 3 pin
Printer side:	Miniature plag quick lock 3 pin
Length:	1.5 m

WCD232 :	RS232 cable for pass through, from display to printer
Display side:	Phone plag 10p/8c
Printer side:	D-sub 25 pin female
Length:	1.5 m

WPW24 :	AC power adaptor with charger
Input :	100-240Vac ,50/60Hz 1.5A
Output :	24Vdc, 2A
Output connector :	Miniature plag quick lock 3 pin

WD-202 customer display

4.UNPACKING AND CHECKING THE PARTS

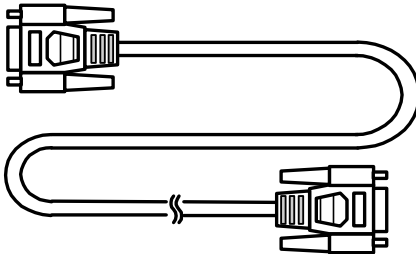


1.Display Panel

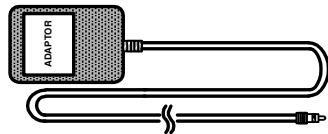
2.Long Support

3.Short Support

4.Base Section



5.RS232C Cable(Link to PC/Host)



6.Adapter

Notes: Make sure no parts are missing or damaged.

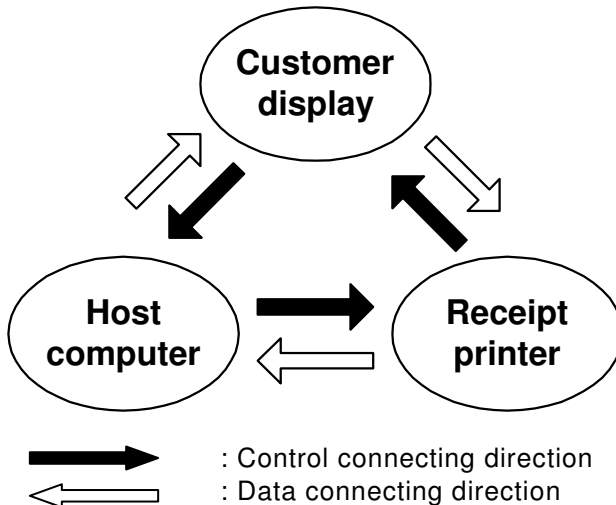
5. INTERFACE

5.1 Specifications

Data transmission:	Serial
Synchronization:	Asynchronous
Handshaking:	DTR / DSR
Signal level:	MARK = -3 to -15 V (logic "1") SPACE = +3 to +15 V (logic "0")
Baud rates:	4800,9600,19200,38400 bps
Parity:	None, even
Bit length:	8 bits
Stop bits:	1 or more

5.2 The communication flow

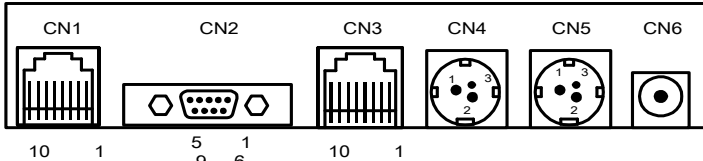
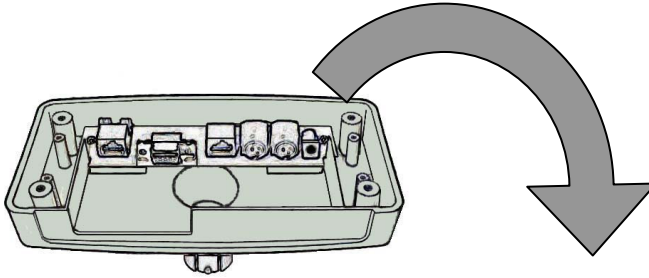
Data flow :	PC/host to display, Display to printer, Printer to PC/host
Handshaking flow :	Display to PC/host, printer to display, PC/host to printer



Note: There are 200 bytes resident buffer in the display for pass data to printer. If PC/host keep transmitting the data to printer when the display inactive DTR or RTS, data will be lost.

WD-202 customer display

5.4 Interface connector (On the bottom of the base section)



- CN1: RS-232C pass-through connects to printer
- CN2: RS-232C connects to PC/Host
- CN3: Connect to display pannel
- CN4, CN5, CN6: Power supply connector

5.5 Power Supply Connectors

5.5.1 CN6 / Connector type: DC jack (5.5/2.1)

Pin assignment

No	Signal
+	Vin
-	GND

Table 5-1

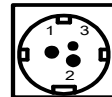


5.5.2 CN4,CN5 / Connector type: Miniature jacks quick lock 3 pin

Pin assignment

No	Signal
1	Vin
2	GND

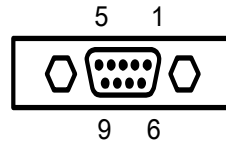
Table 5-2



WD-202 customer display

5.6 RS232C link to PC/HOST connector

CN2 / Connector typr: D-sub 9 pin female



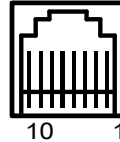
Pin assignment

No	Signal	Direction	Function description
2	RXD	From PC/Host to display	Receive data
3	TXD	From printer to PC/Host	Printer status data
4	DSR	From PC/Host to printer	PC/Host ready signal
5	GND	-	Signal ground
6	DSR	From display to PC/Host	Display/printer ready signal
8	DSR	From display to PC/Host	Display/printer ready signal

Table 5-3

5.7 RS232C link to printer connector

CN1 / Connector type: Phone-jack 10P/8C



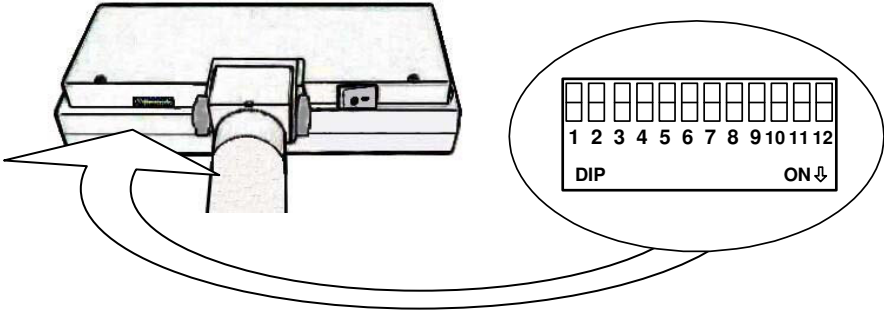
Pin assignment

No	Signal	Direction	Function description
1	NC	-	Not connect
2,3	NC	-	Not connect
4,5	GND	-	Signal ground
6	DTR	From PC/Host to printer	PC/Host ready signal
7	DSR	From printer to display	Printer ready signal
8	TXD	From display to printer	Printing data
9	RXD	From printer to PC/Host	Printer status data
10	NC	-	Not connect

Table 5-4

WD-202 customer display

6. DIP SWITCH SETTING



6.1 Command type selection

SW1	SW2	SW3	Command type
ON	ON	ON	DSP800
OFF	ON	ON	ESC/pos
ON	OFF	ON	ADM 787
OFF	OFF	ON	ADM 788
ON	ON	OFF	EMAX
OFF	ON	OFF	UTC/P
ON	OFF	OFF	UTC/S
OFF	OFF	OFF	CD5220

Table 6-1

6.2 Baud rate selection

SW8	SW9	Baud rate (bps)
ON	ON	4800
OFF	ON	9600
ON	OFF	19200
OFF	OFF	38400

Table 6-2

6.3 Parity check selection

SW10	Parrrity check
ON	None-parity
OFF	Even-parity

Table 6-3

WD-202 customer display

6.4 International character set

SW4	SW5	SW6	SW7	Character set	Code table (80H-FFH)
ON	ON	ON	ON	U.S.A.	PC-437(USA,standard Europe)
OFF	ON	ON	ON	FRANCE	PC-850(multilingual)
ON	OFF	ON	ON	GERMANY	PC-850(multilingual)
OFF	OFF	ON	ON	U.K.	PC-850(multilingual)
ON	ON	OFF	ON	DENMARK I	PC-850(multilingual)
OFF	ON	OFF	ON	SWEDEN	PC-850(multilingual)
ON	OFF	OFF	ON	ITALY	PC-850(multilingual)
OFF	OFF	OFF	ON	SPAIN	PC-850(multilingual)
ON	ON	ON	OFF	JAPAN	Katakana
OFF	ON	ON	OFF	NORWAY	PC-850(multilingual)
ON	OFF	ON	OFF	DENMARK II	PC-850(multilingual)
OFF	OFF	ON	OFF	SLAVONIC	
ON	ON	OFF	OFF	RUSSIA	
OFF	ON	OFF	OFF	Not used	
ON	OFF	OFF	OFF	Not used	
OFF	OFF	OFF	OFF	User define pattern from EEPROM	

Table 6-2

WD-202 customer display

7. COMMAND

7.1 CD5220 Standard Mode Command List

Command	Code (hex)	Function description
ESC DC1	1B 11	Overwrite mode
ESC DC2	1B 12	Vertical scroll mode
ESC DC3	1B 13	Horizontal scroll mode
ESC QACR	1B 51 41 [n]x20 0D	Set the string display mode, writed string to upper line
ESC QBCR	1B 51 42 [n]x20 0D	Set the string display mode, writed string to lower line
ESC QDCR	1B 51 44 [n]xm 0D m<40	Upper line message scroll continuously
ESC [D	1B 5B 44	Move cursor left
BS	08	Move cursor left
ESC [C	1B 5B 43	Move cursor right
HT	09	Move cursor right
ESC [A	1B 5B 41	Move cursor up
ESC [B	1B 5B 42	Move cursor down
LF	0A	Move cursor down
ESC [H	1B 5B 48	Move cursor to home position
HOM	0B	Move cursor to home position
ESC [L	1B 5B 4C	Move cursor to left-most position
CR	0D	Move cursor to left-most position
ESC [R	1B 5B 52	Move cursor to right-most position
ESC [K	1B 5B 4B	Move cursor to bottom position

WD-202 customer display

Command	Code (hex)	Function description
ESC x y	1B 6C x y 1<=x<=20,y=1,2	Move cursor to specified position
ESC @	1B 40	Initialize display
ESC W s x1 x2 y	1B 57 1 x1 x2 y 1<=x1<=x2<=20 y=1,2	Set or cancel the window range at horizontal scroll mode
CLR	0C	Clear display screen , and clear string mode
CAN	18	Clear cursor line, and clear string mode
ESC * n	1B 2A n 1<=n<=4	Brightness adjustment
ESC & s n m [a (P1..pa)]x (m-n+1)	1B 26 1 n m [a(p1..pa)]x (m-n+1) 20<n<=m<=FF	Define download characters. A=1-5 p1..p5 =row1..row5
ESC ?	1B 3F	Deletes download characters.
ESC %	1B 25	Select/cancel download character set.
ESC _ n	1B 5F n n=00,01	Set cursor on/off
ESC f n	1B 66 n	Select international fonts set, refer *2
ESC c n	1B 63 n	Select code, refer *3
ESC = n	1B 3D n n=01,02,03,31,32,33	Select peripheral device, display or printer
ESC s 1	1B 73 01	Store the use define character into eeprom
ESC d 1	1B 64 01	Store the use define character from eeprom

Table 7-1

WD-202 customer display

***2:** The parameter of international fonts set control by command “**ESC f n**”

Parameter n	International Font Set
“A”	U.S.A.
“G”	Germany
“I”	Italy
“J”	Japan
“U”	U.K.
“F”	France
“S”	Spain
“N”	Norway
“W”	Sweden
“D”	Denmark I
“E”	Denmark II
“L”	Slavonic
“R”	Russia

Table 7-2

***3:** The parameter of the code table control by command “**ESC c n**”

Parameter “n”	International font set
“A”	Compliance with ASCII code
“J”	Compliance with JIS code
“L”	Compliance with SLAVONIC code
“R”	Compliance with RUSSIA code

Table 7-3

WD-202 customer display

7.2 UTC standard mode command list

Command	Code (hex)	Function description
BS	08	Back space
HT	09	Horizontal tab
LF	0A	Line feed
CR	0D	Carriage return
DLE	0F	Display position
DC1	11	Over write display mode
DC2	12	Vertical scroll mode
DC3	13	Cursor on
DC4	14	Cursor off
US	1F	Clear display
ESC d	1B 64	Change to UTC enhanced mode

Table 7-4

WD-202 customer display

7.3 UTC enhanced mode command list

Command	Code (hex)	Function description
ESC u A ..CR	1B 75 41 [data x 40]0D	Upper line display
ESC u B ..CR	1B 75 42 [data x 40]0D	Bottom line display
ESC u D ..CR	1B 75 44 [data x 40]0D	Upper line message scroll continuously
ESC u E ..CR	1B 75 45 hh ':' mm 0D h,m='0'-'9'	Display time
ESC u F ..CR	1B 75 46 [data x 40]0D	Upper line message scroll once pass
ESC u H ..CR	1B 75 48 n m 0D 20h<=n,m	Change attention code
ESC u I ..CR	1B 75 49 [data x 40]0D	Two line display
ESC RS CR	1B 0F 0D	Change to UTC standard mode

Table 7-5

7.4 AEDEX mode command list

Command	Code (hex)	Function description
! # 1CR	21 23 31 [data x 40]0D	Upper line display
! # 2CR	21 23 32 [data x 40]0D	Bottom line display
! # 4CR	21 23 34 [data x 40]0D	Upper line message scroll continuously
! # 5CR	21 23 35 hh ':' mm 0D h,m='0'-'9'	Display time
! # 8CR	21 23 38 n m 0D 20h<=n,m	Change attention code
! # 9CR	21 23 39 [data x 40]0D	Two line display

Table 7-6

WD-202 customer display

7.5 ADM787/788 mode command list

Command	Code (hex)	Function description
CLR	0C	Clear display
CR	0D	Carriage return
SLE1	0E	Clear up line and move cursor to upper line left most end
SLE2	0F	Clear low line and move cursor to lower line left most end
DC0	10 n	Set period to upper line last n position 31H<=n<=37H
DC1	11 n	Set line blanking , N='1' up line, n='2' low line
DC2	12 n	Clear line blanking , N='1' up line, n='2' low line
SF1	1E	Clear field 1 and move cursor to field 1 fast position
SF2	1F	Clear field 2 and move cursor to field 2 fast position

Table 7-7

WD-202 customer display

7.6 DSP-800 mode command list

Command	Code (hex)	Function descriptions
EOT SOH I n ETB	04 01 49 n 17	Select international character set.
EOT SOH P n ETB	04 01 50 n 17 n=31-58	Move cursor to specified position.
EOT SOH C n m ETB	04 01 43 n m 17 31<= n<=m<=58	Clear display range from <u>n</u> position to <u>m</u> position and move cursor to <u>n</u> position.
EOT SOH S n ETB	04 01 53 n 17 n=31-35	Save the current displaying data to <u>n</u> layer for demo display.
EOT SOH D n m ETB	04 01 44 n m 17 n=31-4F m=31-33	Display the saved data
EOT SOH A n ETB	04 01 41 n 17 n=31-34	Brightness adjustment.
EOT SOH F n ETB	04 01 46 n 17 00<=n<=FF	Blink display screen.
EOT SOH & n [px5] ETB	04 01 26 n p1...p5 17, 20<=n	Define download characters
EOT SOH ? n ETB	04 01 3F n 17 20<=n	Delete download characters.
EOT SOH = n ETB	04 01 3D n 17 n='1' , '2'	Select peripheral device. N='1', printer n='2', display
EOT SOH % ETB	04 01 25 17	Initialize display
EOT SOH @ ETB	04 01 40 17	Execute self-test

Table 7-8

WD-202 customer display

7.7 EPSON Esc/pos command list

Command	Code (hex)	Function description
HT	09	Move cursor right.
BS	08	Move cursor left.
US LF	1F 0A	Move cursor up.
LF	0A	Move cursor down.
US CR	1F 0D	Move cursor to right-most position.
CR	0D	Move cursor to left-most position.
HOM	0B	Move cursor to home position.
US B	1F 42	Move cursor to bottom position.
US \$ x y	1F 24 x y x=1-20,y=01,02	Move cursor to specified position.
CLR	0C	Clear display screen.
US X n	1F 58 n 01<=n<=04	Brightness adjustment.
US E n	1F 45 n n=00-ff	Blink display screen.
ESC @	1B 40	Initialize display.
ESC t n	1B 74 n n=00-0f	Select character code table.
ESC R n	1B 52 n n=00-0f	Select international character set.
US r n	1F 72 n n=00,01	Select/cancel reverse character.
US MD1	1F 01	Specify overwrite mode.
US MD2	1F 02	Specify vertical scroll mode.
US MD3	1F 03	Specify horizontal scroll mode.
ESC & s n m [a(p1..pa)]x m-n	1B 26 1 n m [a(p1..pa)]x m-n 20<n<=m<=ff	Define download characters. 20<n<=m<=ff a=1-5 p1..p5 =row1..row5
ESC ?	1B 3F	Delete downloads characters.
ESC %	1B 25	Select/cancel download character set.

WD-202 customer display

Command	Code (hex)	Function description
ESC W n s x1 y1 x2 y2	1B 57 n s x1 y1 x2 y2 n=1,2,3,4 s=0,1	Specify/cancel the window range. 1<=x1<=x2<=20 1<=y1<=y2<=2
ESC = n	1B 3D n n=1,31, select printer n=2,32, selectdisplay	Select peripheral device.
US :	1F 3A	Set starting/ending position of macro definition.
US ^ n m	1F 5E n m 00<=(n, m)<=ff	Execute and quit macro.
US @	1F 40	Execute self-test.
US T h m	1F 54 h m 0<=h<=17 , 0<=m<=3b	Display time
US U	1F 55	Display time continuously
ESC s 1	1F 73 01	Store define download character to EEPROM
ESC d 1	1F 64 01	Restore user define character from EEPROM

Table 7-9

WD-202 customer display

8.2 International character sets

International \ (HEX)	23	24	40	5B	5C	5D	5E	60	7B	7C	7D	7E
U.S.A.	0000	0000	0000	0000	0000	0000	0000	0000	0000	0000	0000	0000
FTANCE	0000	0000	0000	0000	0000	0000	0000	0000	0000	0000	0000	0000
GERMAN	0000	0000	0000	0000	0000	0000	0000	0000	0000	0000	0000	0000
U.K.	0000	0000	0000	0000	0000	0000	0000	0000	0000	0000	0000	0000
DENMARKI	0000	0000	0000	0000	0000	0000	0000	0000	0000	0000	0000	0000
SWEDEN	0000	0000	0000	0000	0000	0000	0000	0000	0000	0000	0000	0000
ITALY	0000	0000	0000	0000	0000	0000	0000	0000	0000	0000	0000	0000
SPAIN	0000	0000	0000	0000	0000	0000	0000	0000	0000	0000	0000	0000
JAPAN	0000	0000	0000	0000	0000	0000	0000	0000	0000	0000	0000	0000
NORWAY	0000	0000	0000	0000	0000	0000	0000	0000	0000	0000	0000	0000
DENMARK 2	0000	0000	0000	0000	0000	0000	0000	0000	0000	0000	0000	0000
SLAWIE	0000	0000	0000	0000	0000	0000	0000	0000	0000	0000	0000	0000
RUSSIA	0000	0000	0000	0000	0000	0000	0000	0000	0000	0000	0000	0000

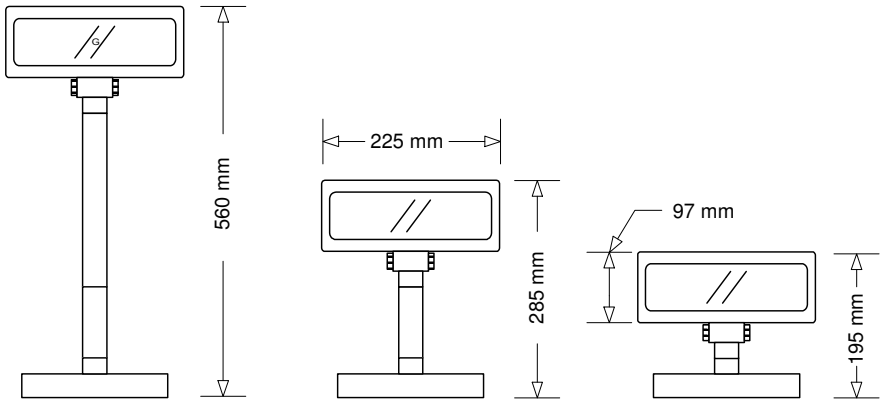
WD-202 customer display

8.4 Page 1: (Katakana)

	0	1	2	3	4	5	6	7	8	9	A	B	C	D	E	F
80H	----	0-	0-	0-	0-	0-	0-	0-	0-	0-	0-	0-	0-	0-	0-	0-
	----	0-	0-	0-	0-	0-	0-	0-	0-	0-	0-	0-	0-	0-	0-	0-
	----	0-	0-	0-	0-	0-	0-	0-	0-	0-	0-	0-	0-	0-	0-	0-
	----	0-	0-	0-	0-	0-	0-	0-	0-	0-	0-	0-	0-	0-	0-	0-
90H	----	0-	0-	0-	0-	0-	0-	0-	0-	0-	0-	0-	0-	0-	0-	0-
	----	0-	0-	0-	0-	0-	0-	0-	0-	0-	0-	0-	0-	0-	0-	0-
	----	0-	0-	0-	0-	0-	0-	0-	0-	0-	0-	0-	0-	0-	0-	0-
	----	0-	0-	0-	0-	0-	0-	0-	0-	0-	0-	0-	0-	0-	0-	0-
A0H	----	0-	0-	0-	0-	0-	0-	0-	0-	0-	0-	0-	0-	0-	0-	0-
	----	0-	0-	0-	0-	0-	0-	0-	0-	0-	0-	0-	0-	0-	0-	0-
	----	0-	0-	0-	0-	0-	0-	0-	0-	0-	0-	0-	0-	0-	0-	0-
	----	0-	0-	0-	0-	0-	0-	0-	0-	0-	0-	0-	0-	0-	0-	0-
B0H	----	0-	0-	0-	0-	0-	0-	0-	0-	0-	0-	0-	0-	0-	0-	0-
	----	0-	0-	0-	0-	0-	0-	0-	0-	0-	0-	0-	0-	0-	0-	0-
	----	0-	0-	0-	0-	0-	0-	0-	0-	0-	0-	0-	0-	0-	0-	0-
	----	0-	0-	0-	0-	0-	0-	0-	0-	0-	0-	0-	0-	0-	0-	0-
C0H	----	0-	0-	0-	0-	0-	0-	0-	0-	0-	0-	0-	0-	0-	0-	0-
	----	0-	0-	0-	0-	0-	0-	0-	0-	0-	0-	0-	0-	0-	0-	0-
	----	0-	0-	0-	0-	0-	0-	0-	0-	0-	0-	0-	0-	0-	0-	0-
	----	0-	0-	0-	0-	0-	0-	0-	0-	0-	0-	0-	0-	0-	0-	0-
D0H	----	0-	0-	0-	0-	0-	0-	0-	0-	0-	0-	0-	0-	0-	0-	0-
	----	0-	0-	0-	0-	0-	0-	0-	0-	0-	0-	0-	0-	0-	0-	0-
	----	0-	0-	0-	0-	0-	0-	0-	0-	0-	0-	0-	0-	0-	0-	0-
	----	0-	0-	0-	0-	0-	0-	0-	0-	0-	0-	0-	0-	0-	0-	0-
E0H	----	0-	0-	0-	0-	0-	0-	0-	0-	0-	0-	0-	0-	0-	0-	0-
	----	0-	0-	0-	0-	0-	0-	0-	0-	0-	0-	0-	0-	0-	0-	0-
	----	0-	0-	0-	0-	0-	0-	0-	0-	0-	0-	0-	0-	0-	0-	0-
	----	0-	0-	0-	0-	0-	0-	0-	0-	0-	0-	0-	0-	0-	0-	0-
F0H	----	0-	0-	0-	0-	0-	0-	0-	0-	0-	0-	0-	0-	0-	0-	0-
	----	0-	0-	0-	0-	0-	0-	0-	0-	0-	0-	0-	0-	0-	0-	0-
	----	0-	0-	0-	0-	0-	0-	0-	0-	0-	0-	0-	0-	0-	0-	0-
	----	0-	0-	0-	0-	0-	0-	0-	0-	0-	0-	0-	0-	0-	0-	0-

WD-202 customer display

APPENDIX A: Customer Display Dimension



WD-202 customer display

APPENDIX B: Display Module Dimension

