



MODEL : DS-900

Receipt Printer User's Manual



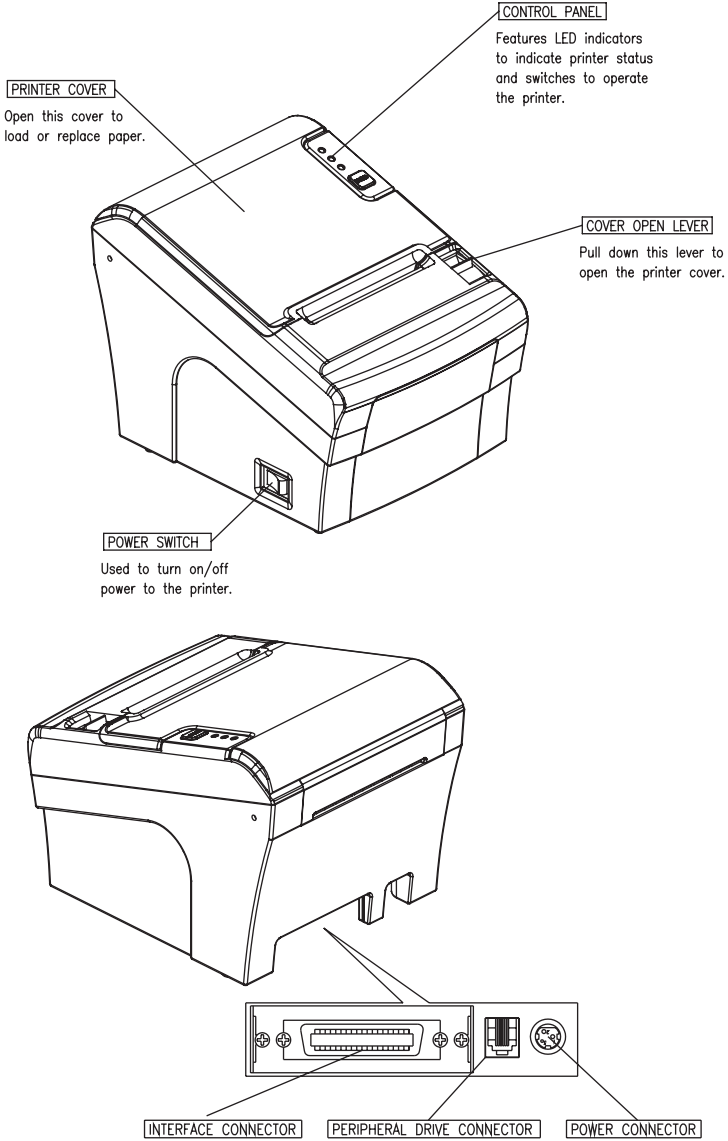
Disposal of Old Electrical&Electronic Equipment(Applicable in the European Union and other European countries with separate collection systems)

This symbol on the product or on its packaging indicates that this product shall not be treated as household waste. Instead it shall be handed over to the applicable collection point for the recycling of electrical and electronics equipment. For more detailed information about recycling of this product, please contact your local city office, your household waste disposal service or the shop where you purchased the product.

Table of Contents

1. Parts Identifications	3
2. Setting up the printer	4
2.1 Unpacking	4
2.2 Connecting the cables	5
2.3 Loading the roll paper	9
2.4 Dip switch setting	11
3. Control panel and other functions	17
3.1 Control panel	17
3.2 Error Indicating	17
4. Self Test	18
5. Hexadecimal Dump	19
6. Specifications	20
6.1. General Specifications	20
6.2. Auto Cutter Specifications	22
6.3. Interface	22
6.4. Electrical Characteristics	22
6.5. Environmental Requirements	23
6.6. Reliability	23
6.7. Certification	23
7. Command List	24

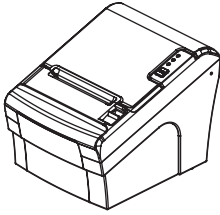
1. Parts Identifications



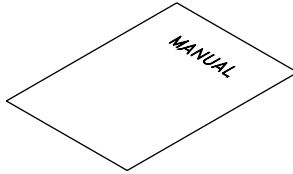
2. Setting Up the Printer

2-1. Unpacking

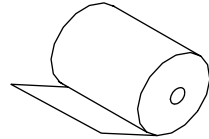
Your printer box should include these items. If any items are damaged or missing, please contact your dealer for assistance.



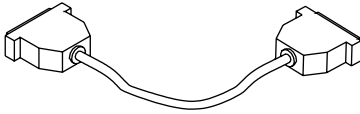
The Printer



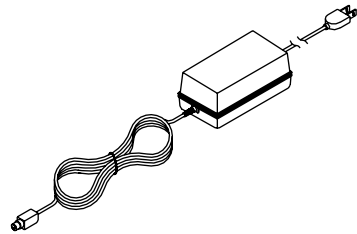
User's Manual



Roll Paper



Interface Cable(optional)

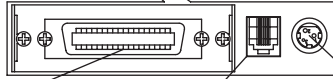
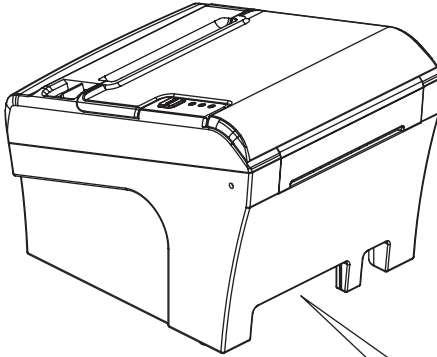


Adaptor(option)

2-2. Connecting the Cables

You can connect up the cables required for printing to the printer.

They all connect to the connector panel on the back of the printer, which is shown below :



INTERFACE CONNECTOR

For connection to a host computer.

PERIPHERAL DRIVE CONNECTOR

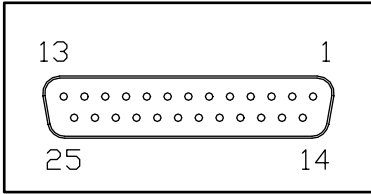
Connects to peripheral units such as cash drawers, etc. Do not connect this to a telephone.

POWER CONNECTOR

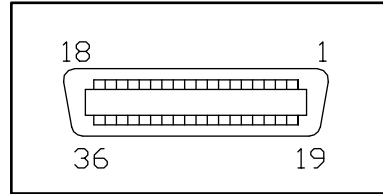
For connection of the AC adapter. Never unplug the AC adapter while the printer is on.

Before connecting any of the cables, make sure that both the printer and the computer are turned off.

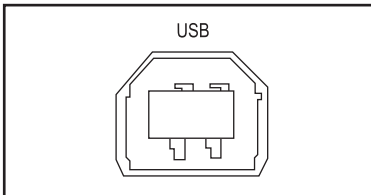
2-2-1. Interface Connector



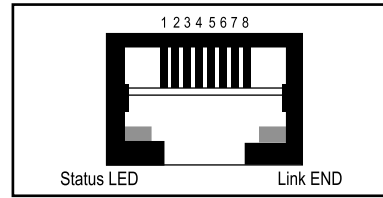
<D-SUB 25 Female Serial>



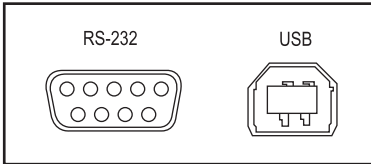
<Centronics Parallel>



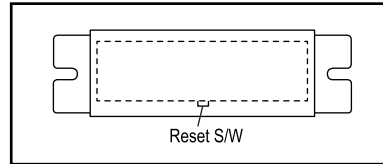
<USB "B" Type>



<Ethernet>



<USB COMBO>



<Wi-fi>

Serial Interface

PIN	SIGNAL	I/O	DESCRIPTION
2	TXD	Output	Printer transmit data line RS-232C level
3	RXD	Input	Printer receive data line RS-232C level
4, 20	DTR	Output	Printer handshake to host line RS-232C level
6	DSR	Input	Data Send Ready
1, 7	GND	-	System Ground

USB Interface

PIN	SIGNAL	I/O	DESCRIPTION
1	+5V	-	+5V
2	DATA-	-	Printer transmit data line
3	DATA+	-	Printer transmit data line
4	GND	-	System Ground

Centronics Parallel Interface

PIN	SIGNAL	I/O	DESCRIPTION
1	STROBE-	Input	Synchronize signal Data received
2~9	DATA 0~7	Input/Output	Data bit Transmitted 0~7
10	ACK-	Output	Data receiving completed.
11	BUSY	Output	Impossible to print of data receiving.
12	PE	Output	Paper empty
13	SELECT	Output	Printer status for ON/OFF line
14	AUTO FEED-	Input	Paper auto feed signal
15	GROUND	-	System ground
16	GROUND	-	System ground
17	NC	-	
18	LOGIC-H	-	+5V
19~30	GROUND	-	System ground
31	INIT-	Input	Initialize
32	ERROR-	Output	Printer error
33	GROUND	-	System ground
34	NC	-	
35	+5V	-	+5V
36	SELLECT IN-	Input	Printer select signal

Ethernet Interface

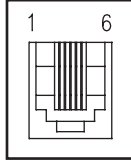
PIN	SIGNAL	I/O
1	Data Out +	Output Data +
2	Data Out -	Output Data -
3	GND	Ground
4	Data IN +	Input Data +
5	Data IN -	Input Data -
6	N.C	
7	N.C	
8	N.C	

This equipment is indoor use and all the communication wirings are limited to inside of the building.

2-2-2. Cash Drawer Connector

The printer can operate two cash drawers with a 6 pin RJ-11 modular connector.

The driver is capable of supplying a maximum current of 1.0A/24VDC for 510ms or less when not printing.



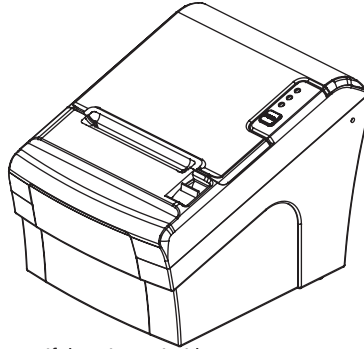
PIN	SIGNAL	DESCRIPTION
1	Signal GND	-
2	Drawer kick-out drive signal 1	Output
3	Drawer open/close signal	Input
4	+24V	-
5	Drawer kick-out drive signal 2	Output
6	Signal GND	-

Caution : To avoid an overcurrent, the resistance of the drawer kick-out solenoid must be 24 Ω or more.

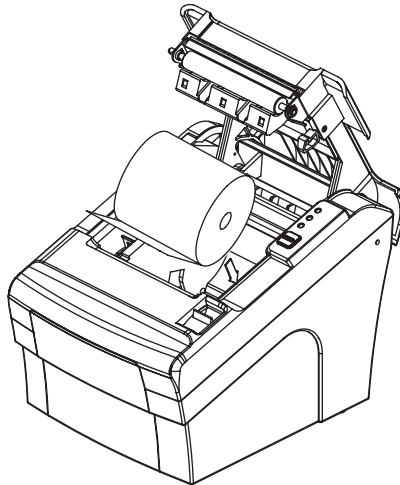
2-3. Loading the Roll Paper

Notes: Be sure to use paper rolls that meet the specifications. Do not use paper rolls that have the paper glued to the core because the printer cannot detect the paper end correctly.
(Turn off power switch)

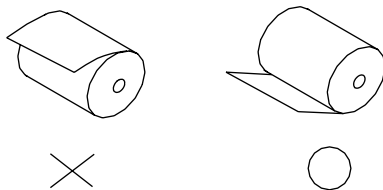
1. Make sure that the printer is not receiving data; Otherwise, data may be lost.
2. Open the paper roll cover by pushing down the cover open button.



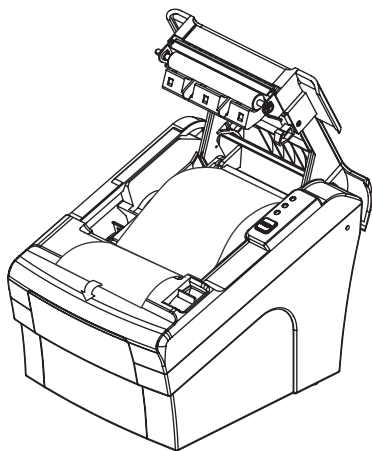
3. Remove the used paper roll core if there is one inside.
4. Insert new paper roll as shown.



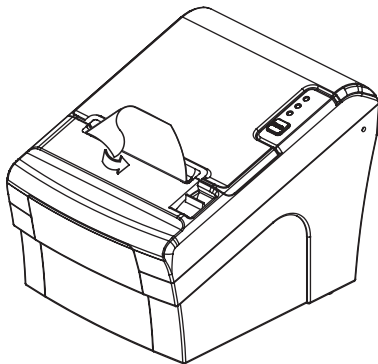
5. Be sure to note the correct direction that the paper comes off the roll.



6. Pull out a small amount of paper, as shown. Then, close the cover.



7. Tear off the paper as shown.



2-4. Dip Switch Setting

The printer is set up at the factory to be appropriate for almost all users. On the other hand, offers some more settings for users with special requirements. It has DIP switches that allow you to change communication setting, such as handshaking and parity check, as well as print density.

Your printer has two sets of DIP switches. The functions of the switches are shown in the following tables.

♣Note : Power off. And open the cover of Dip Switch and change setting.

2-4-1. Serial Interface Specification

DIP Switch Set 1 Functions

SW	FUNCTION	ON	OFF	DEFAULT
1	Data Receive	Ignored	Print "?"	OFF
2	Hexadecimal	HEXDUMP	NORMAL	OFF
3	Hand Shaking	XON/XOFF	DTR/DSR	OFF
4	Data Length	7bits	8bits	OFF
5	Parity Check	ENABLED	DISABLED	OFF
6	Parity Check	EVEN	ODD	OFF

Baudrate selection

Transmission speed	SW-7	SW-8
4800 bps	ON	ON
9600 bps	OFF	ON
19200 bps	ON	OFF
38400 bps	OFF	OFF

Print Density (DIP-SW2)

Print Density	SW-1	SW-2
Low Power	ON	ON
Normal	OFF	ON
Normal	ON	OFF
Dark	OFF	OFF

2-4-2. Parallel Interface Specification

DIP Switch Set 1 Function

SW	FUNCTION	ON	OFF	DEFAULT
2	Hexadecimal	HEXDUMP	NORMAL	OFF
5	Bi-Parallel mode	DISABLED	ENABLED	OFF

Print Density (DIP-SW2)

Print Density	SW-1	SW-2
Low Power	ON	ON
Normal	OFF	ON
Normal	ON	OFF
Dark	OFF	OFF

2-4-3. USB COMBO Interface Specification

DIP Switch Set 1 Function

SW	FUNCTION	ON	OFF	DEFAULT
2	Hexadecimal	HEXDUMP	NORMAL	OFF

COMBO Serial Option

SW	FUNCTION	ON	OFF
3	HANDSHAKING	XON/XOFF	DTR/DSR
4	DATA LENGHT	7BITS	8BITS
5	PARITYCHECK	ENABLED	DISABLED
6	PARITYCHECK	EVEN	ODD

Baudrate selection

Transmission speed	SW-7	SW-8
4800 bps	ON	ON
9600 bps	OFF	ON
19200 bps	ON	OFF
38400 bps	OFF	OFF

Print Density (DIP-SW2)

Print Density	SW-1	SW-2
Low Power	ON	ON
Normal	OFF	ON
Normal	ON	OFF
Dark	OFF	OFF

2-4-4. USB Interface Specification

DIP Switch Set 1 Function

SW	FUNCTION	ON	OFF	DEFAULT
2	Hexadecimal	HEXDUMP	NORMAL	OFF

Print Density (DIP-SW2)

Print Density	SW-1	SW-2
Low Power	ON	ON
Normal	OFF	ON
Normal	ON	OFF
Dark	OFF	OFF

-----old USB-----

DIP Switch Set 1 Functions

SW	FUNCTION	ON	OFF	DEFAULT
1	Data Receive	Ignored	Print "?"	OFF
2	Hexadecimal	HEXDUMP	NORMAL	OFF
3	Hand Shaking	XON/XOFF	DTR/DSR	OFF
4	Data Length	7bits	8bits	OFF
5	Parity Check	ENABLED	DISABLED	OFF
6	Parity Check	EVEN	ODD	OFF

Baud rate selection

Transmission speed	SW-7	SW-8
4800 bps	ON	ON
9600 bps	OFF	ON
19200 bps	ON	OFF
38400 bps	OFF	OFF

Print Density

Print Density	SW-9	SW-10
Low Power	ON	ON
Normal	OFF	ON
Normal	ON	OFF
Dark	OFF	OFF

2-4-5. Wi-fi Specification

DIP Switch Set 1 Function

SW	FUNCTION	ON	OFF	DEFAULT
2	Hexadecimal	HEXDUMP	NORMAL	OFF

Print Density (DIP-SW2)

Print Density	SW-1	SW-2
Low Power	ON	ON
Normal	OFF	ON
Normal	ON	OFF
Dark	OFF	OFF

2-4-6. Ethernet Interface Specification

DIP Switch Set 1 Function

SW	FUNCTION	ON	OFF	DEFAULT
2	Hexadecimal	HEXDUMP	NORMAL	OFF

Print Density (DIP-SW2)

Print Density	SW-1	SW-2
Low Power	ON	ON
Normal	OFF	ON
Normal	ON	OFF
Dark	OFF	OFF

DIP Switch Set 2 Functions

Cutter

SW	FUNCTION	ON	OFF	Remarks
3	Cutter	FULL CUT	PARTIAL CUT	Only Epson mode

Emulation

FUNCTION	SW-4	SW-5
Epson (TM-88)	OFF	OFF

Paper low detect (*1)

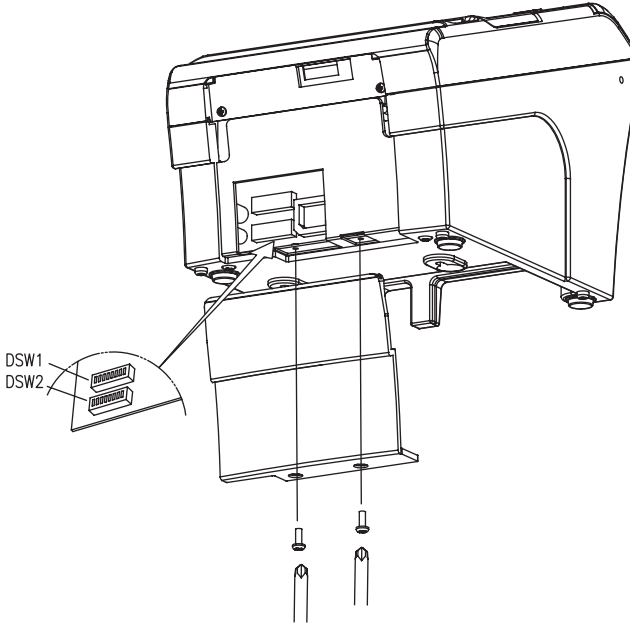
SW	FUNCTION	ON	OFF
6	Paper Low	Detect	Do not Detect

- (*1) The detecting function of [Paper Low] is an option.
Please set Dip Switch (2-6) [OFF] if you don't need any option.
If Dip Switch is [ON] without any special option purpose.
Printer detects [Paper is Low] and it could cause error.

♣ **CAUTION:**

Turn off the printer while removing the DIP switch cover to prevent an electric short, which can damage the printer.

1. Make sure the printer is turned off.
2. Remove the screw from the DIP switch cover. Then, take off the DIP switch cover as shown in the illustration below.



3. Set the switches using a pointed tool, such as tweezers or a small screwdriver.
4. Replace the DIP switch cover. Then, secure it with the screw.

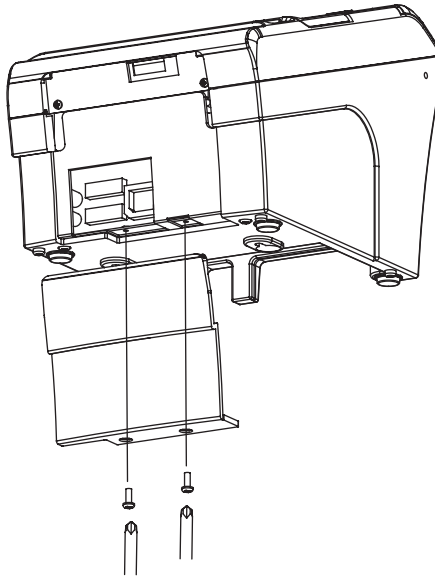
The new settings take effect when you turn on the printer.

♣ CAUTION:

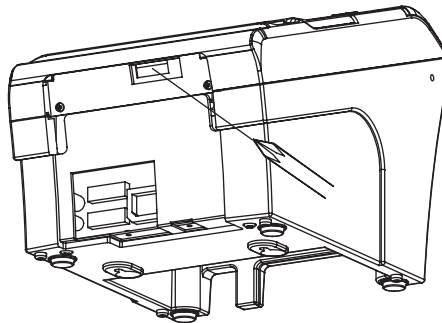
When the paper is jammed with cutter, the top cover might be stuck. In this case, repeat power on and off several times.

If the top cover is still stuck, please follow the steps to release the papers from jamming.

1. Make sure the printer is turned off.
2. Remove the screw from the DIP switch cover. Then, take off the DIP switch cover as shown in the illustration below.



3. Turn screw with drivers to a direction until paper is released from the cutter.

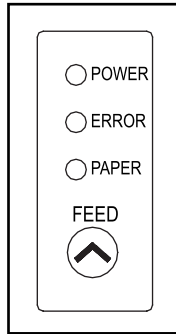


3. Control panel and other functions

3-1. Control panel

You can control the basic paper feeding operations of the printer with the button on the control panel. The indicator lights help you to monitor the printer's status.

Control Panel



Button

The button can be disabled by the ESC c 5 command.

Press the FEED button once to advance paper one line. You can also hold down the FEED button to feed paper continuously.

3-2. Error indicators

This section explains the different patterns signaled by the three LED indicators located on the top cover of the printer.

STATUS	PAPER	ERROR	POWER	REMARKS
	RED	RED	GREEN	
Power off	OFF	OFF	OFF	Normal power is not supplied to the printer
Power on	OFF	OFF	ON	Normal power is supplied to the printer
On line	OFF	OFF	ON	Normal error-free mode
Cover open	OFF	ON	ON	Close cover
Paper empty	OFF	ON	ON	Insert new paper roll
Paper near end	ON	OFF	ON	Paper is low
Test mode	OFF	OFF	ON	Ignored error led

4. Self Test

The self-test lets you know if your printer is operating properly. It checks the control circuits, printer mechanisms, print quality, ROM version and DIP switch settings. This test is independent of any other equipment or software.

Running the self test

1. Make sure the printer is turned off and the printer cover is closed properly.
2. While holding down the FEED button, turn on the printer using the switch on the front of the printer to begin the self-test. The Self Test prints the printer settings and then prints the following, Cuts the paper, and pauses. (Error LED On)

Self-test printing

Please press the PAPER FEED button.

3. Press the FEED button to continue printing.
The printer prints a pattern using the built-in character set.
4. The self test automatically ends and cuts the paper after printing the following.

****** Completed ******

The printer is ready to receive data as soon as it completes the self-test.

5. Hexadecimal Dump

This feature allows experienced users to see exactly what data is coming to the printer. This can be useful in finding software problems.

When you turn on the hex dump function, the printer prints all commands and other data in hexadecimal format along with a guide section to help you find specific commands.

To use the hex dump feature, follow these steps

1. After you make sure that the printer is off and Dip s/w 1-2 is ON, turn on the printer.
2. Run any software program that sends data to the printer. The printer prints "Hexadecimal Dump" and then all the codes it receives in a two-column format. The first column contains the hexadecimal codes and the second column gives the ASC II characters that correspond to the codes.

Hexadecimal Dump

```
1B 21 00 1B 26 02 40 40 !..& . @ @
```

```
1B 25 01 1B 63 34 00 1B .%..c4 ..
```

```
41 42 43 44 45 46 47 48 ABCDEFGH
```

A period (.) is printed for each code that has no ASC II equivalent.

3. Turn off the printer, and make sure that Dip sw 1-2 off.

4. Turn on the printer.

6. Specifications

Appendix A : Specifications

6-1. General Specifications

(1) Printing Method Direct line thermal printing.

(2) Print speed 200mm/sec.

(3) Dot density

180 DPI (Hor / Ver)	180 / 180 (0.142mm / 0.142mm dot)
---------------------	-----------------------------------

(4) Printing Width

180 DPI	Max 72mm (512 dots)
---------	---------------------

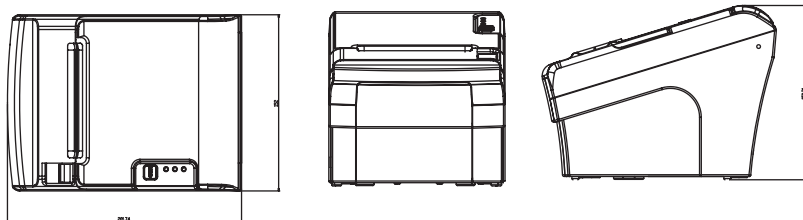
(5) Number of print columns.
No. of columns

	Font "A"	Font "B"
180 DPI	42	56

(6) Roll paper Refer to chapter 2 for details on the recommended roll Paper.
Paper width : 50mm~82.5mm
Roll diameter : Max. Ø83mm

(7) Weight 3.75 lbs (1.7Kg)

(8) Overall dimension



6-2. Auto Cutter Specifications

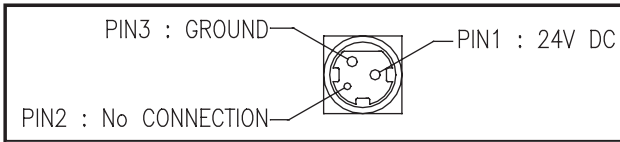
- | | |
|------------------------|--|
| (1) Cutting Frequency | Max. 30 cuts per minute |
| (2) Thickness of paper | 0.06 ~ 0.09 mm |
| (3) Cutter Life | 1.0 million cuttings
(if the paper thickness is between 65 and 100 μ m) |

6-3. Interface

RS232C Serial Interface, Centronics Parallel Interface(IEEE1284), USB Interface
USB COMBO Interface, Ethernet Interface(10Mbps), Wi-fi(802.11b)

6-4. Electrical Characteristics

- | | |
|-------------------------|---|
| (1) Input Voltage | DC 24V \pm 10% |
| (2) Current Consumption | Operating: Approx. 1.5 A (at ASC II printing)
Peak : Approx. 10 A
(at print duty 100%, For 10 seconds or less)
Stand-by : Approx. 0.15 A |
| (3) Power Connector | |



♣ **Important!**

When connecting or disconnecting the power supply from the printer, be sure that the following cautions are observed.

- (1) Use a power supply (Limited Power Supply) of DC 24V±10% and more than 2.5A.
- (2) Be careful about installing the printer in an area where there is noise.
- (3) Take the appropriate measure to protect against electrostatic AC line noise, etc.

6-5. Environmental Requirements

(1) Operating

Temperature	5°C to 40°C
Humidity	10% to 90% RH (without condensation)

(2) Transport/Storage (except paper)

Temperature	-20°C to 60°C
Humidity	10% to 90% RH (without condensation)

6-6. Reliability

- | | |
|-----------------|---|
| (1) MCBF | 60 million lines (based on an average printing rate of 12.5% with paper thickness in the range of from 65µm - 75µm)
35 million lines (based on an average printing rate of 12.5% with paper thickness in the range of from 76µm - 150µm) |
| (2) Head Life | 100 million pulses, 100Km |
| (3) Cutter Life | 1.0 million cuttings (if the paper thickness is between 65 and 90µm) |

6-7. Certification

- (1) FCC PART15 CLASS A
- (2) UL/cUL (UL 60950-1)
- (3) MIC
- (4) CE-EMCD (CE-EMCD Class B should use Parallel shield Cable complied with IEEE-1284 standards)
- (5) RoHS (TUV)
- (6) CCC

7. Command List

No.	Command	Function	REMARKS
1	HT	Horizontal tab	
2	LF	Print and line feed	
3	CR	Print and carriage return	
4	FF	Print and return to standard mode(in page mode)	
5	CAN	Cancel print data in page mode	
6	DLE EOT	Real-time status transmission	
7	DLE ENQ	Real-time request to printer	
8	DLE DC4	Generate pulse at real-time	
9	ESC FF	Print data in page mode	
10	ESC SP	Set right-side character spacing	
11	ESC !	Select print mode(s)	
12	ESC \$	Set absolute print position	
13	ESC %	Select/cancel user-defined character set	
14	ESC &	Define user-defined characters	
15	ESC *	Set bit-image mode	
16	ESC -	Turn underline mode on/off	
17	ESC 2	Select default line spacing	
18	ESC 3	Set line spacing	
19	ESC =	Select peripheral device	
20	ESC ?	Cancel user-defined characters	
21	ESC @	Initialize printer	
22	ESC D	Set horizontal tab positions	
23	ESC E	Turn emphasized mode on/off	
24	ESC G	Turn double-strike mode on/off	
25	ESC J	Print and feed paper using minimum units	
26	ESC L	Select page mode	
27	ESC M	Select character font	
28	ESC R	Select an international character set	
29	ESC S	Select standard mode	
30	ESC T	Select print direction in page mode	
31	ESC V	Turn 90° clockwise rotation mode on/off	
32	ESC W	Set printing area in page mode	
33	ESC \	Set relative print position	
34	ESC a	Select justification	
35	ESC c 3	Select paper sensor(s) to output paper-end signals	
36	ESC c 4	Select paper sensor(s) to stop printing	
37	ESC c 5	Enable/disable panel buttons	
38	ESC d	Print and feed paper n lines	
39	ESC p	General pulse	

No.	Command	Function	REMARKS
40	ESC t	Select character code table	
41	ESC {	Turn upside-down printing mode on/off	
42	FS p	Print NV bit image	
43	FS q	Define NV bit image	
44	GS !	Select character size	
45	GS \$	Set absolute vertical print position in page mode	
46	GS *	Define downloaded bit image	
47	GS /	Print downloaded bit image	
48	GS B	Turn white/black reverse printing mode on/off	
49	GS H	Select printing position of HRI characters	
50	GS I	Transmit printer ID	
51	GS L	Set left margin	
52	GS P	Set horizontal and vertical motion units	
53	GS V	Select cut mode and cut paper	
54	GS W	Set printing area width	
55	GS \	Set relative vertical print position in page mode	
56	GS a	Enable/disable Automatic Status Back(ASB)	
57	GS f	Select font for HRI characters	
58	GS h	Set bar code height	
59	GS k	Print bar code	
60	GS r	Transmit status	
61	GS v 0	Print raster bit image	
62	GS w	Set bar code width	
	< Add >		
1	ESC i	Full cut	
2	ESC m	Partial cut	
3	FS !	Set print mode(s) for Kanji characters	
4	FS &	Select Kanji character mode	
5	FS -	Turn underline mode on/off for Kanji character	
6	FS .	Cancel Kanji character mode	
7	FS 2 c1 d1...dk	Define user-defined Kanji characters	
8	FS C	Select Kanji character code system	
9	FS S 1 2	Set Kanji character spacing	
10	FS W	Turn quadruple-size mode on/off for Kanji character	
11	RS	Beep Sound	

