

MS6520: Presentation Scanner



IS6520: OEM Scan Engine

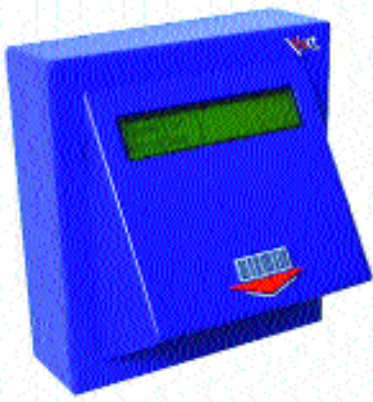


MS6520 Cubit™

Features

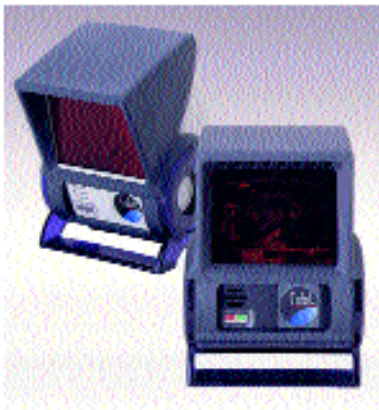
- **Fully automatic scanning operation**
- **Bracket adds vertical tilt capability**
- **Durable housing for added protection**
- **Mountable in OEM equipment**
- **User-replaceable cables**
- **Easy programming and configuration**

Ideal for kiosks and price look up



Metrologic's Cubit™ is a compact, omnidirectional bar code scanner for retail presentation scanning applications, or integrated with Original Equipment Manufacturer (OEM) equipment.

As a retail scanner, the MS6520 Cubit is equipped with a mounting bracket that can be attached securely to a countertop or wall for fixed-mount scanning. The mounting bracket allows for rotation as well, with a locking design that gives Cubit 64° of tilt, making it perfect for installation underneath check writing and credit card stands. Cubit's housing design allows for added protection and durability to withstand the rigors of even the busiest point-of-sale environment.



As an OEM scan engine, the IS6520 Cubit is easy to install using integrated threaded mounting holes, quick-disconnect cables and serial programming. The modular design of the IS6520 is versatile enough for integration into a diversity of applications including kiosks, reverse vending machines, time/attendance machines and price look-up systems.

Projecting a patented omnidirectional scan pattern, Cubit can scan and decode all standard bar codes as they are presented in any orientation.

Cubit looks good, too. Available in three different colors, Cubit blends cosmetically with virtually any existing point-of-sale equipment.



MS6520 Cubit™

OPERATIONAL

Light Source	Visible Laser Diode 650 nm ±10 nm
Laser Power	0.674 mW (peak)
Depth of Scan Field (programmable)	0 mm - 178 mm (0" - 7") for 0.33 mm (13 mil) bar code at default setting
Width of Scan Field	38 mm (1.5") @ face; 102 mm (4") @ 178 mm (7")
Scan Speed	1000 scan lines per second
Scan Pattern	5 fields of 4 parallel lines (omnidirectional)
Number of Scan Lines	20
Minimum Bar Width	0.145 mm (5.7 mil)
Decode Capability	Autodiscriminates all standard bar codes; for other symbologies call Metrologic
System Interfaces	RS232, Light Pen Emulation, Keyboard wedge, Stand Alone Keyboard
Print Contrast	35% minimum reflectance difference
Number Characters Read	Up to 80 data characters
Roll, Pitch, Yaw	360°, 60°, 60°
Beeper Operation	7 tones or no beep
Indicators	Green = laser on, ready to scan Red = good read

MECHANICAL

Length	IS6520: 102 mm (4.0")	MS6520: 130 mm (5.25")
Width	83 mm (3.25")	96 mm (4.06")
Height (front edge)	70 mm (2.75")	88 mm (3.25")
Height (back edge)	55 mm (2.25")	81 mm (3.18")
Weight	IS6520: 298 g (10.5 oz)	MS6520: 318 g (11.2 oz)
Termination	10 position modular RJ45	
Cable	Standard 2.1 m (7') straight; optional 2.7 m (9') coiled for other cable call Metrologic	
Mounting Holes	3 mm threaded; maximum depth of 6 mm (0.24")	

ELECTRICAL

Input Voltage	5 VDC ± 0.25 V
Power	1.0 W
Operating Current	200 mA typical @ 5 VDC
DC Transformers	Class 2; 5.2 VDC @ 650 mA
Laser Class	CDRH: Class IIa; EN60825-1:1994/A11:1996 Class 1
EMC	FCC Class A

ENVIRONMENTAL

Operating Temperature	-20°C to 40°C (-4°F to 104°F)
Storage Temperature	-40°C to 60°C (-40°F to 140°F)
Humidity	5% to 95% relative humidity, non-condensing
Light Levels	Up to 4842 Lux (450 footcandles)
Contaminants	Sealed to resist airborne particulate contaminants
Ventilation	None required

Specifications subject to change without notice.
Printed U.S.A., Copyright January 2001.
Metrologic, All rights reserved.
MLPN: DSMS6520



USA
Metrologic Instruments, Inc.
Tel. 1-800-ID-METRO
Fax 1-856-228-6673
info@metrologic.com

Europe
Metrologic Instruments GmbH
Tel. 49-89-89019-0
Fax 49-89-89019-200
info@europe.metrologic.com

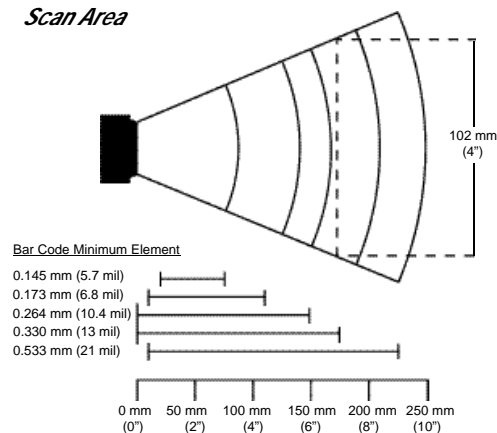
South America
Metrologic South America
Tel. 5511-5505-6568
Fax 5511-5505-1681
info@sa.metrologic.com

Brazil (only)
Metrologic do Brasil Ltda.
Tel. 5511-5505-2396
Fax 5511-5507-2301
info@br.metrologic.com

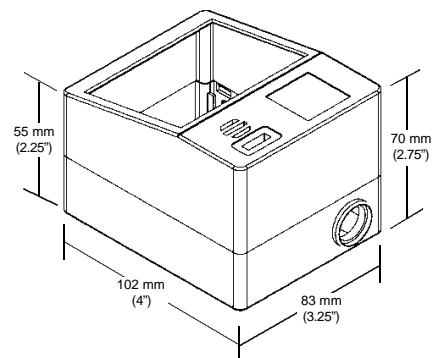
Asia
Metrologic Asia (Pte) Ltd.
Tel. 65-842-7155
Fax 65-842-7166
info@sg.metrologic.com

China (only)
Metro (Suzhou) Technologies Co. Ltd
Tel. 86-512-2572511
Fax 86-512-2571517
info@cn.metrologic.com

Scan Area



Dimensions (without housing)



Dimensions (in housing)

