



The Specialist Series

POS Printers

Meeting the Market's needs



SP2000 Series

Superior Entry Level Receipt Printer

SP2000 SERIES

SP2000 SERIES PRODUCT RANGE

SP2320

Mono, Tear Bar Version

SP2360

Red/Black, Tear Bar Version

SP2520

Mono, Auto-cutter Version

SP2560

Red/Black, Auto-cutter Version

TYPICAL APPLICATIONS

Receipt Printer

With Rewind Option Credit Card Authorization

Remote Kitchen Printer

Optional Wall Mounting Brackets

Ticket Printer

Red/Black Version

Industrial

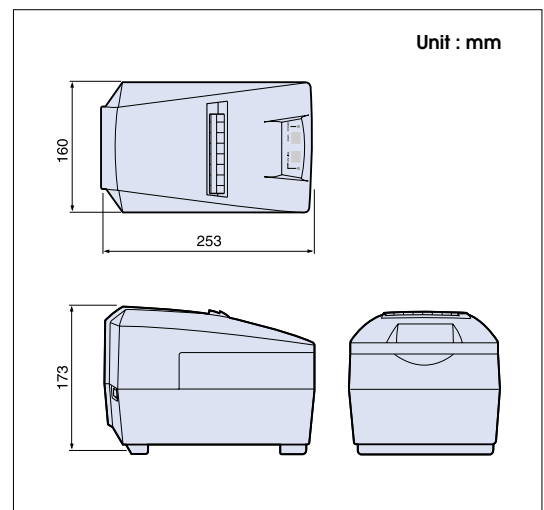
Data Logging, Journals, Delivery

Euro Ready!

- ◆ Fully Graphics capable 9-pin impact matrix printer capable of printing up to 3.1 lines per second.
- ◆ Semi Automatic "Drop-In and Insert" Paper Loading.
- ◆ Compact footprint (150 [w] × 245 [d] × 175 [h] mm) with hidden external power supply management.
- ◆ ESC/POS compatible with Integral / External Power Supply.
- ◆ Choice of Grey or White case (instead of standard cream).
- ◆ MCBF 5 million lines / 18 million lines Calculated Real Time.
- ◆ User Installable Rewind Options, Interface Cartridge and Near End Paper Sensor.

SP2000 SPECIFICATIONS

| | |
|--------------------------|--|
| Printer Method | 9 Pin Serial Dot Matrix |
| Print Direction | Bi-directional |
| Print Speed | Approx. 3.1lps(@42 Columns, 16.9 CPI) |
| Paper Feed Speed | Approx. 23 lps(@ continuous feed) |
| Number of Columns | 40col / 42col / 35col |
| Character Matrix | 7×9(half dot) / 5×9 |
| Character Set | 95 alphanumeric, 32 International, 128×8 Graphic |
| Code Pages | 38 Code pages |
| Paper Width | 76+ / -0.5mm(W)×85mm(diameter) |
| Thickness 1 Ply | 0.07~0.10mm |
| Copy Capability 2 Ply | Original + 1, 0.05 - 0.08mm per ply, total less 0.14 |
| Copy Capability 3 Ply | Original + 2, 0.05 - 0.08mm per ply, total less 0.20 |
| Ribbon Life | RC-200P 3.0 Mil Characters(Purple) RC-200B 1.2 Mil Characters(Black) RC-200RB 0.6 Mil(Black), 0.3 Mil(Red) |
| Control Code | Star Mode / ESC POS Emulation |
| Interface | RS232C or Bi-Directional Parallel (USB = TBD) |
| Data Buffer | 4Kbyte or 256byte |
| Reliability | 5 Million Lines MCBF, 18 Million Lines CRT. MCBF |
| Auto-Cutter | 300,000 cuts |
| D.K.D. Function | 2 Drivers |
| EMI Standard | VCCI Class A, FCC Class A, CE Marking |
| Safety Standard | UL, C-UL, TUV |
| Options | Exclusive AC Adapter (PS48) Re-winder (Journal roll) Wall Mount Bracket Windows and OPOS Drivers |
| Factory Options | Auto-Cutter |
| Additional Feature | Fiscal Memory (Space only) |
| Overall Dimensions | 173×253×160mm |
| Weight | Approx. 2.1kg |
| Program ROM | Flash Memory (8Mbyte) |
| Character Per Inch (CPI) | 16.9 / 14.1 |
| Character Size (mm) | 1.2(W)×2.42(H) / 1.5(W)×2.42(H) |



STAR MICRONICS CO., LTD. ELECTRONIC PRODUCTS DIVISION

536 Nanatsushinya, Shimizu, Shizuoka, 424-0066 Japan
Tel: 0543-47-0113, Fax: 0543-48-5013



Certificate No: 17604
Parent Company only
Star Micronics Co., Ltd., Japan