

3.3 Panel LEDs and Error Status

3.3.1 Power LED

Table 3-1 Power LED

Item		Specifications
LED color		Green
LED states	Off	Power is not supplied.
	On	Power is supplied.

3.3.2 No Roll Paper (PAPER OUT) LED

Table 3-2 No roll paper (PAPER OUT) LED

Item		Specifications
LED color		Red
LED states	Off	Roll paper is loaded.
	On	A roll paper near end or paper end is detected.
	Flashing	Self-test standby state or standby state when a macro execution command is used.



Note:

The macro function is available only when ESC/POS commands are used.

3.3.3 Error LED

Table 3-3 Error LED

Item		Specifications
LED color		Red
On states	Off	Printer is performing regular operations or is online.
	On	Offline (excluding self-test with the paper FEED button).
	Flashing	Error state.

3.3.3.1 Error Codes




There are three possible error types: automatically recoverable errors, recoverable errors, and unrecoverable errors.

- ❑ For automatically recoverable errors, the user does not have to take any action. The error recovers automatically when the head temperature returns to normal or the cover is correctly closed.
- ❑ A recoverable error recovers by resetting the printer or sending a command from the driver after the cause of the error is eliminated.
- ❑ For unrecoverable errors, the printer or the power supply may be malfunctioning and must be repaired.

Automatically recoverable errors

Although normal printer operation is no longer possible when automatically recoverable errors occur, they do not represent printer failure. They can be recovered easily, as described below.

Table 3-4 Automatically recoverable errors

Error	Error description	Error LED flash code	Recovery measure
			
Roll paper cover open error	The roll paper cover was opened during printing.		Recovers automatically when the roll paper cover is closed.
Print head temperature error	A high temperature outside the head drive operating range was detected.		Recovers automatically when the print head cools.




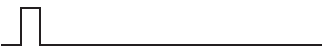
Note:

If the temperature cannot be detected correctly, a drive circuit error occurs.

Recoverable errors

Although normal printer operation is not possible after a recoverable error occurs, this is not a printer malfunction. These errors can be recovered easily by turning the power on again or sending an error recovery command from the driver after eliminating the cause of the error.

Table 3-5 Recoverable errors

Error	Error description	Error LED flash code	Recovery measure
			
Autocutter error	Autocutter does not work correctly.		Remove the jammed paper or foreign matter in the printer, close the roll paper cover, send the error recover command, or turn the power on to recover.







 **Note:**

The error recovery command is valid only if a recoverable error (excluding automatically recoverable errors) occurs. If a recoverable error occurs, the printer recovers from the error upon receipt of an error recovery command from the driver after the cause of the error is eliminated. Turning the printer's power off and on is not required.

Unrecoverable errors

Normal printer operation is no longer possible when unrecoverable errors occur. The printer must be repaired.

Table 3-6 Unrecoverable errors

Error	Error description	Error LED flash code 	Recovery measure
Memory R/W error	After R/W checking, the printer does not work correctly.		Impossible to recover
High voltage error	The power supply voltage is extremely high.		Impossible to recover
Low voltage error	The power supply voltage is extremely low.		Impossible to recover
CPU execution error	The CPU is executing an incorrect address.		Impossible to recover
Drive circuit error	The reaction of the drive circuit is abnormal.		Impossible to recover

 **Note:**

When an unrecoverable error occurs, turn off the power supply immediately.