

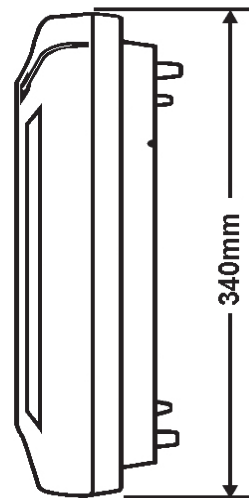
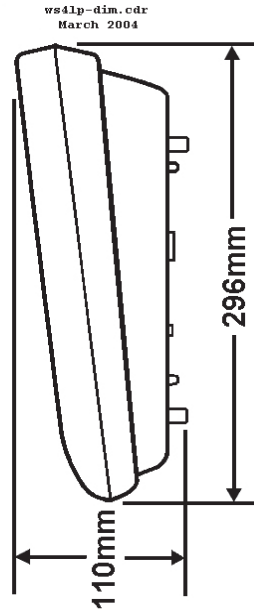
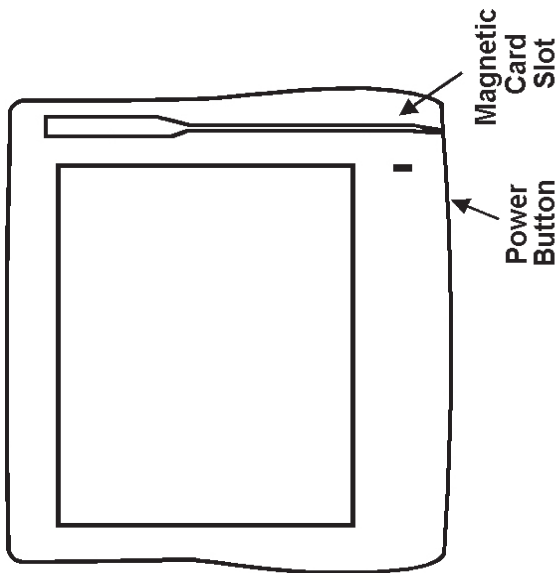
**Equipment Dimensions**  
Workstation 4 - LX Low Profile

---

*Workstation 4 - LX Low Profile*

**NOTES:**

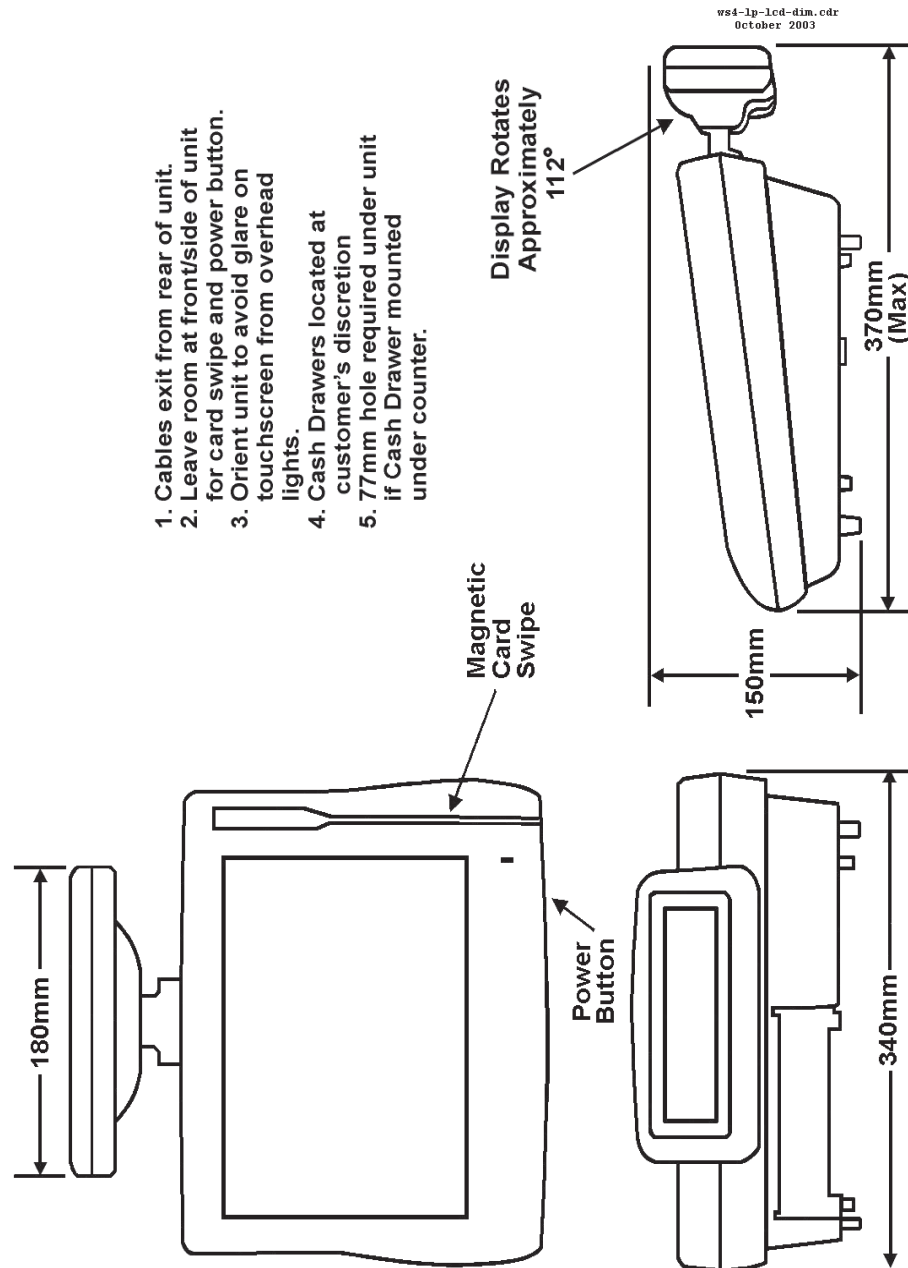
1. Cables exit from rear of unit.
2. Leave room at front/side of unit for card swipe and power button.
3. Orient unit to avoid glare on touchscreen from overhead lights.
4. Cash Drawers located at customer's discretion.
5. 77mm hole required under unit if Cash Drawer mounted under counter.



## Equipment Dimensions

### Workstation 4 LX - Low Profile with Rear LCD Customer Display

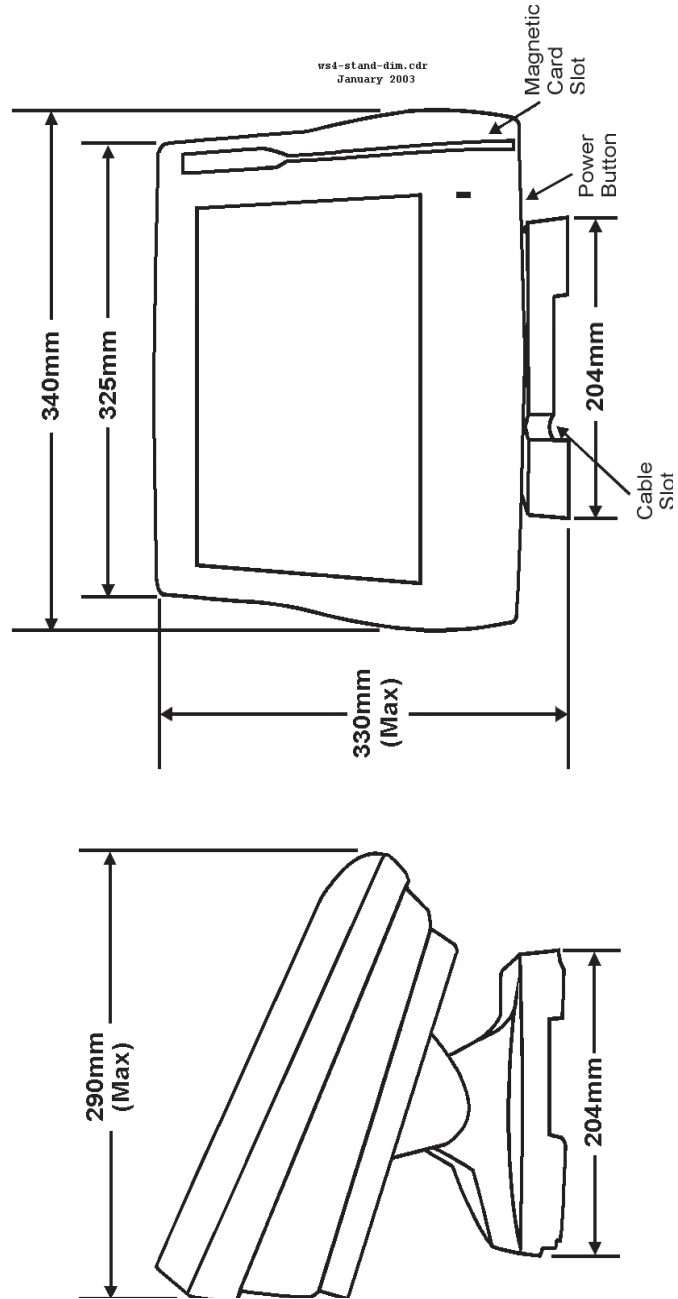
#### *Workstation 4 LX - Low Profile with Rear LCD Customer Display*



*Workstation 4 LX on Adjustable Stand*

**NOTES:**

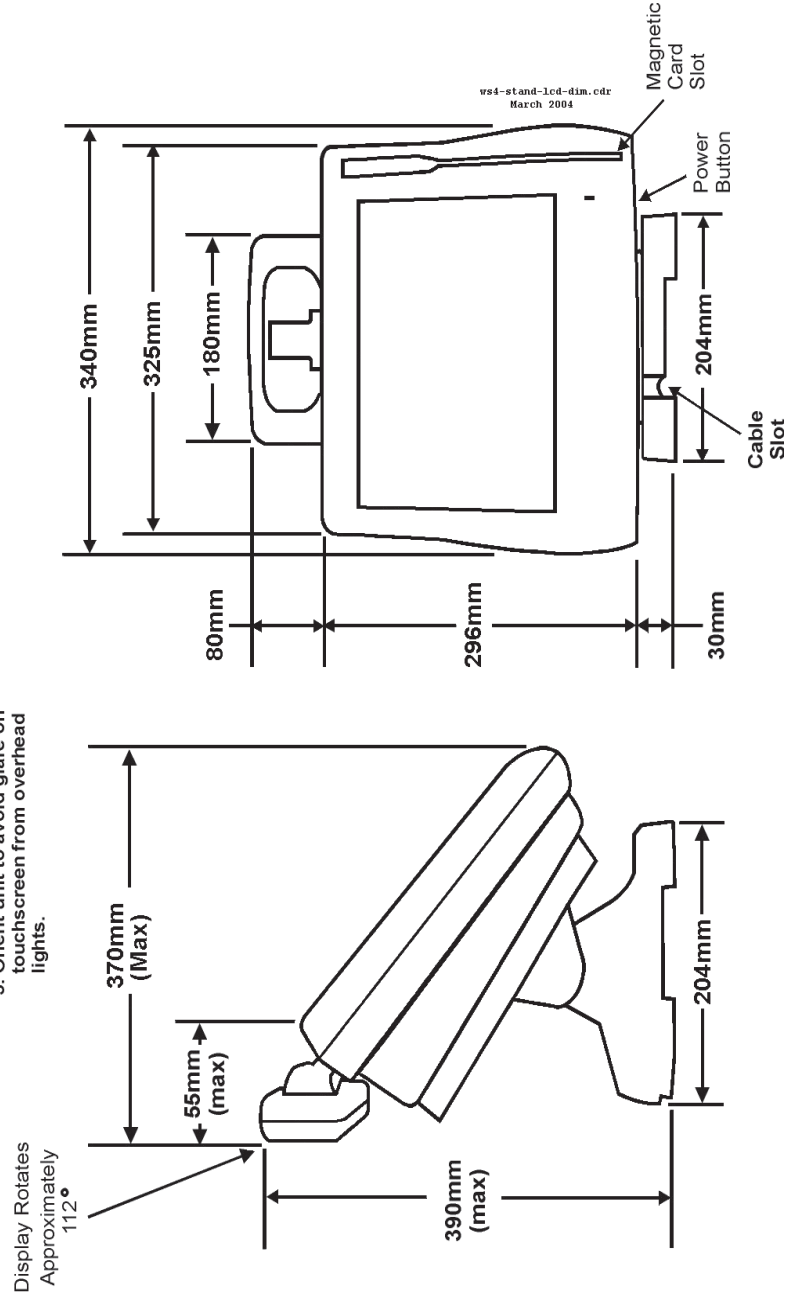
1. Cables from IO Panel routed through cable slot to exit stand for room at front/side of unit.
2. Leave room at front/side of unit for card swipe and power button.
3. Orient unit to avoid glare on touchscreen from overhead lights.
4. Cash Drawers located at customer's discretion.
5. 77mm hole required under unit if Cash Drawer mounted under counter.



*WS4 LX on Adjustable Stand with Rear LCD Customer Display*

**NOTES:**

1. Cables from IO Panel routed through cable slot to exit stand
2. Leave room at front/side of unit for card swipe and power button.
3. Orient unit to avoid glare on touchscreen from overhead lights.
4. Cash Drawers located at customer's discretion.
5. 77mm hole required under unit if Cash Drawer mounted under counter.



## Equipment Dimensions

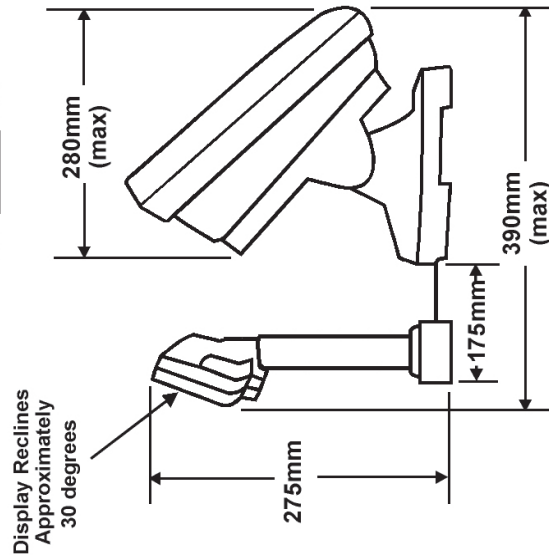
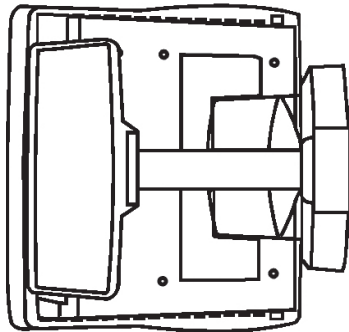
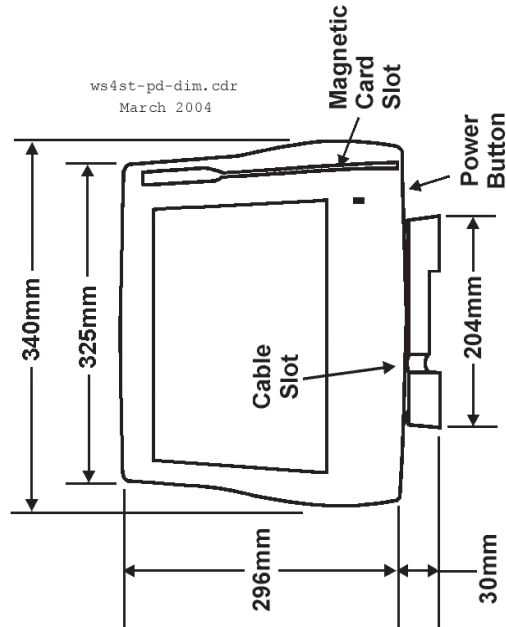
Workstation 4 LX on Adjustable Stand with VFD Pole Display

### *Workstation 4 LX on Adjustable Stand with VFD Pole Display*

**Notes:**

1. Cables from IO Panel routed through cable slot to exit stand
2. Leave room at front/side of unit for card swipe and power button.
3. Orient unit to avoid glare on touchscreen from overhead lights.
4. Cash Drawers located at customer's discretion.
5. 77mm hole required under unit if Cash Drawer mounted under counter.

ws4st-pd-dim.cdr  
March 2004



*Workstation 4 LX on Wall Mount Stand*

**NOTES:**

- 1) WS4 weight approx 3.5 kg.
- 2) Wall mount hardware not included. Use hardware appropriate for wall material.
- 3) Leave room at front/side of unit for card swipe and power button.
- 4) Orient unit to avoid glare on touchscreen from overhead lights.

